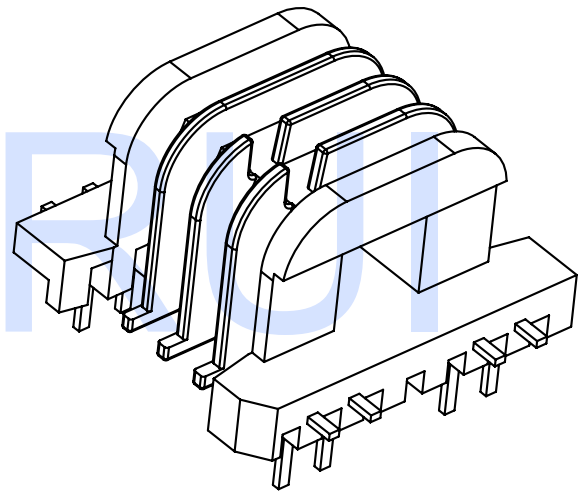
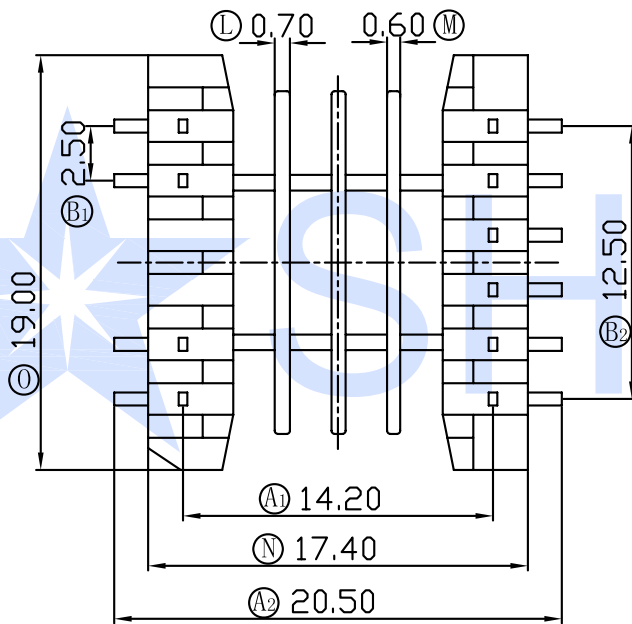
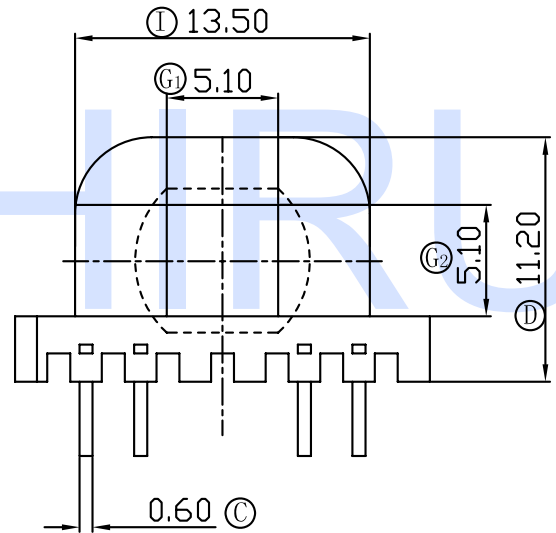
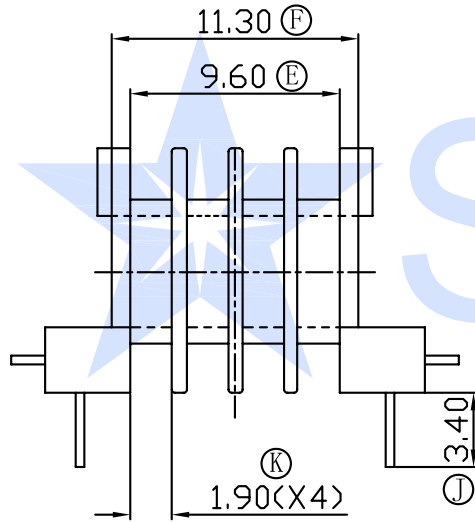


P/N

SR-SMD EE1908



Hefei Shirui Electronic Technology Co., Ltd

TEL:(0086) 55165232650

sales@shiruitech.com

www.shiruitech.com

SR NO.

SR-SMD EE1908

MATERIAL:

LCP-E4008

UNIT: mm

TOLERANCE

0 L 4 ±0.10

4 L 16 ±0.20

16 L 64 ±0.30

PIN PITCH ±0.05

DRN.

WILL H

CHD.

IRINA LEE

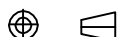
ISSD.

JAMES HU

MODEL NAME:

EE19-(4+6P)-4S H

ANGLE: ±°



SCALE 1:1